

No. 1535

STK3062III




Thick Film Hybrid Integrated Circuit
2-CHANNEL VOLTAGE AMPLIFIER FOR
60 TO 70W AF POWER AMPLIFIER

Features

- The AC amp circuit configuration eliminates the need to use the external middle-point adjust circuit.
- External parts provide more flexibility in phase compensation.
- Low distortion (0.005%) due to built-in current mirror circuit.

Maximum Ratings at $T_a=25^{\circ}\text{C}$

			unit
Maximum Supply Voltage	$V_{CC\max}$	± 59	V
Operating IC Case Temperature	TC	115	$^{\circ}\text{C}$
Storage Temperature	Tstg	-30 to +115	$^{\circ}\text{C}$

Operating Characteristics at $T_a=25^{\circ}\text{C}$, $V_G=40\text{dB}$, at Test Circuit.

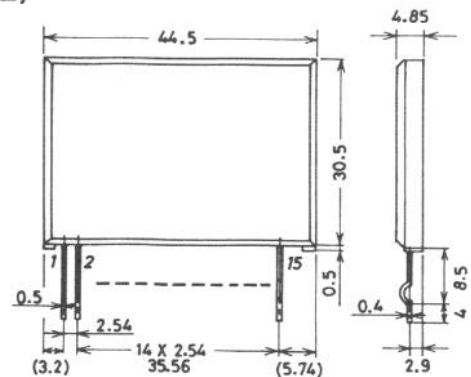
			min	typ	max	unit
Current Dissipation	I_{CC}	$V_{CC}=\pm 48\text{V}$		20	30	mA
Middle-Point Voltage	V_N	$V_{CC}=\pm 48\text{V}$	-50		+50	mV
Output Noise Voltage	V_{NO}	$V_{CC}=\pm 48\text{V}$, $R_g=10\text{k}\Omega$			1.0	mV
Input Impedance	r_i	$V_{CC}=\pm 48\text{V}$, $f=1\text{kHz}$, $V_o=2.83\text{V}$		92		k Ω
Total Harmonic Distortion	THD	$V_{CC}=\pm 41\text{V}$, $f=20\text{kHz}$, $V_o=22.0\text{V}$			0.005	%

(Note)

When testing, use a regulated power supply unless otherwise specified.

Case Outline 4053

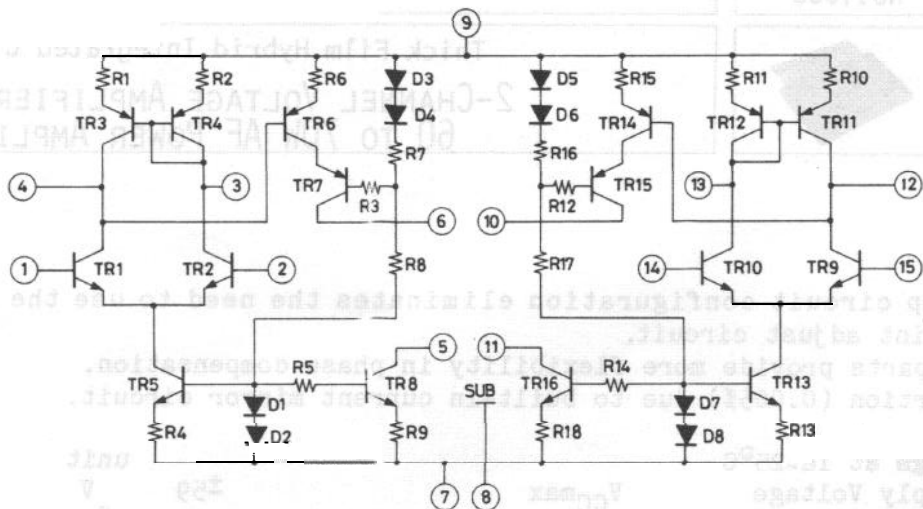
(unit:mm)



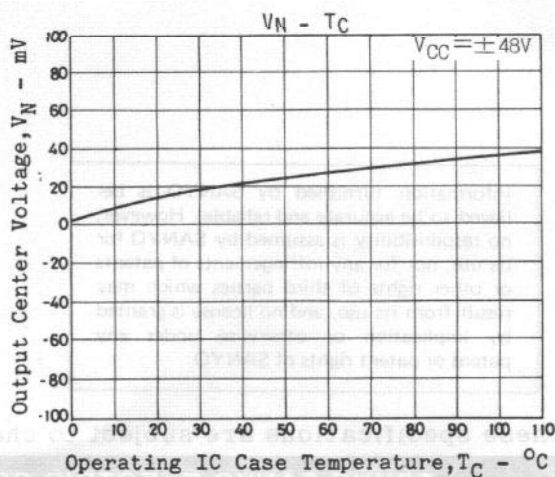
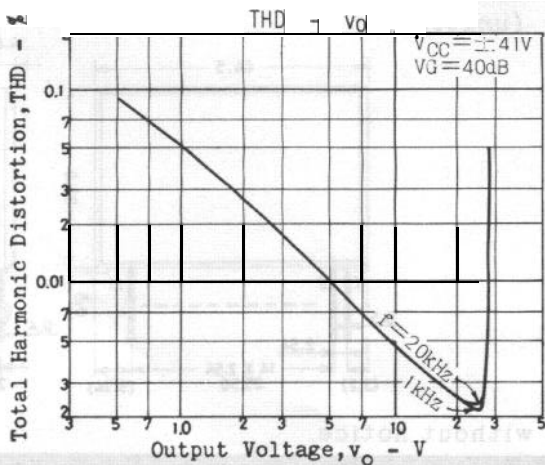
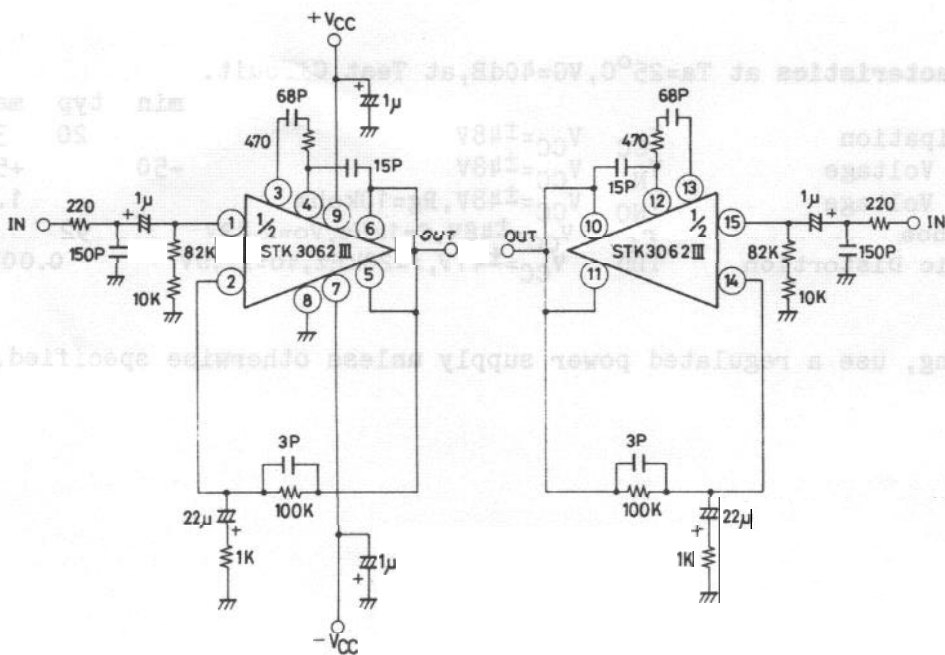
Information furnished by SANYO is believed to be accurate and reliable. However, no responsibility is assumed by SANYO for its use; nor for any infringements of patents or other rights of third parties which may result from its use, and no license is granted by implication or otherwise under any patent or patent rights of SANYO.

These specifications are subject to change without notice.

Equivalent Circuit

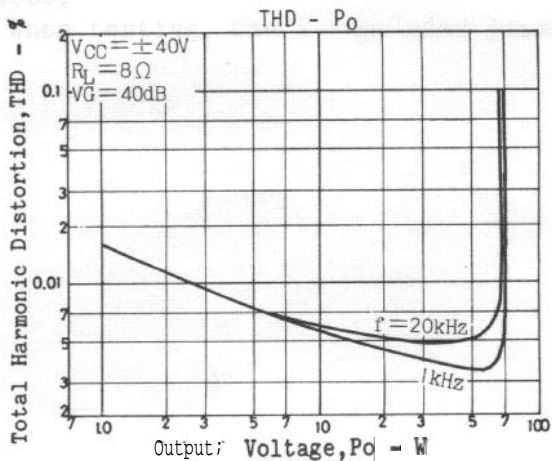
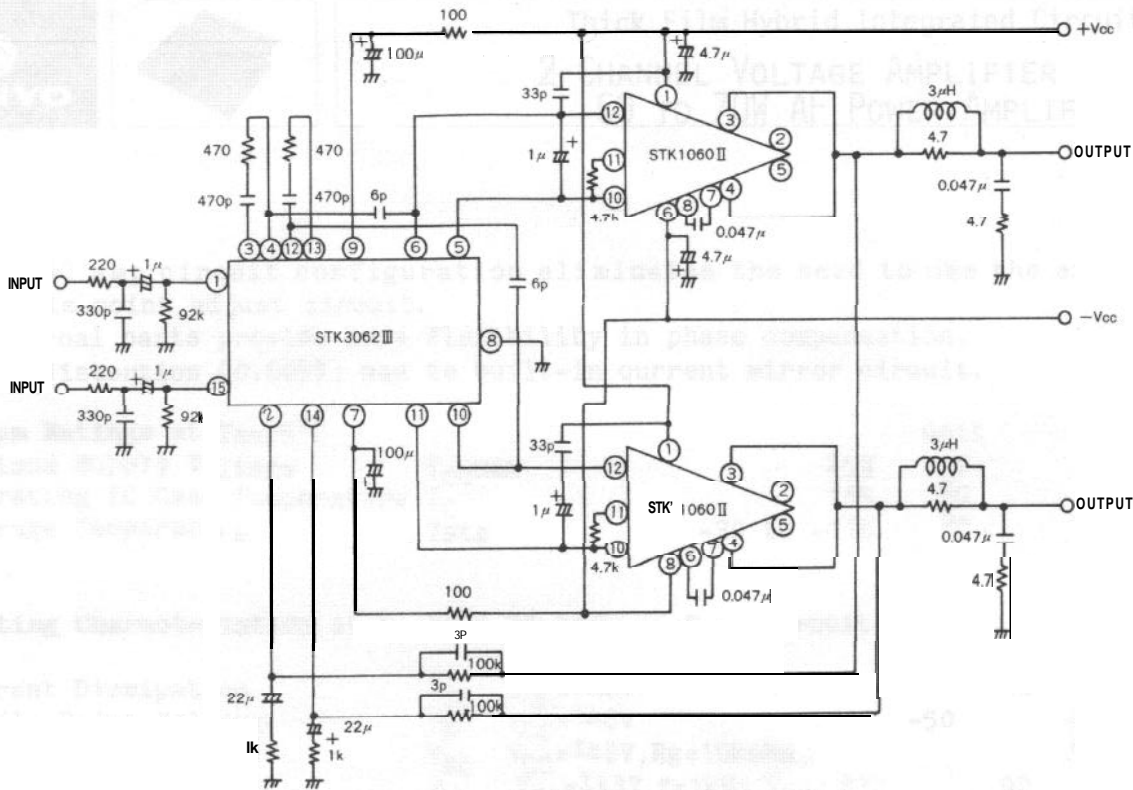


Test Circuit



Sample Application Circuit

STK3062 III



This datasheet has been download from:

www.datasheetcatalog.com

Datasheets for electronics components.